

RFCOMPONENTS.COM.AU

7/16 DIN Directional Couplers

RFDC716-400-6000-XX

400 - 6000 MHz, 7/16 DIN Directional Couplers

LOW PIM SERIES

Rev 3

ELECTRICAL SPECIFICATION

Model Number	RFDC716-400-6000-05	RFDC716-400-6000-06	RFDC716-400-6000-07	RFDC716-400-6000-08	RFDC716-400-6000-10	RFDC716-400-6000-12	RFDC716-400-6000-13	RFDC716-400-6000-15	RFDC716-400-6000-20	RFDC716-400-6000-30	RFDC716-400-6000-40
Frequency Band(MHz)	400 - 6000 MHz										
Coupling(dB)	5±1.8	6±1.8	7±1.8	8±1.8	10±2	12±2	13±2	15±2	20±2	30±2.5	40±2.5
Isolation(dB)	≥19	≥21	≥22	≥23	≥25	≥27	≥28	≥30	≥35	≥45	≥55
Insertion Loss(dB)	≤2.35	≤1.8	≤1.55	≤1.35	≤1.2	≤0.9	≤0.7	≤0.6	≤0.4	≤0.3	≤0.2
VSWR	≤1.3										
Impedance(Ω)	50Ω										
IMD with 2*43 dBm	160 dBc typ., 155 dBc min										
Power Handling	200 W CW max, 2000W Peak max										

MECHANICAL SPECIFICATION

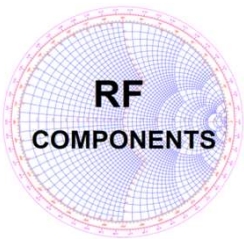
RF Connectors	7/16 DIN Female
RF Connectors Configuration	See outline
Weight	1.0 Kg max
Dimensions without connectors and mounting brackets	See outline
Outside finish	Black, powder coating
Product Configuration	Single unit
Mounting option	Screws
Mounting orientation	
Ground screw	N/A

PACKAGING SPECIFICATION

Applicable standard	NEBS GR-63-CORE
---------------------	-----------------

ENVIRONMENTAL SPECIFICATION

Temperature Range	-35 to +75° C
IP Class	IP65, indoor or outdoor
EMC / EMI	NEBS GR-1089-CORE and EN 55022
Safety	EN 60950
Corrosion resistance	14 days salt fog according to IEC 60068 2-11 Test Ka



RFCOMPONENTS.COM.AU

7/16 DIN Directional Couplers

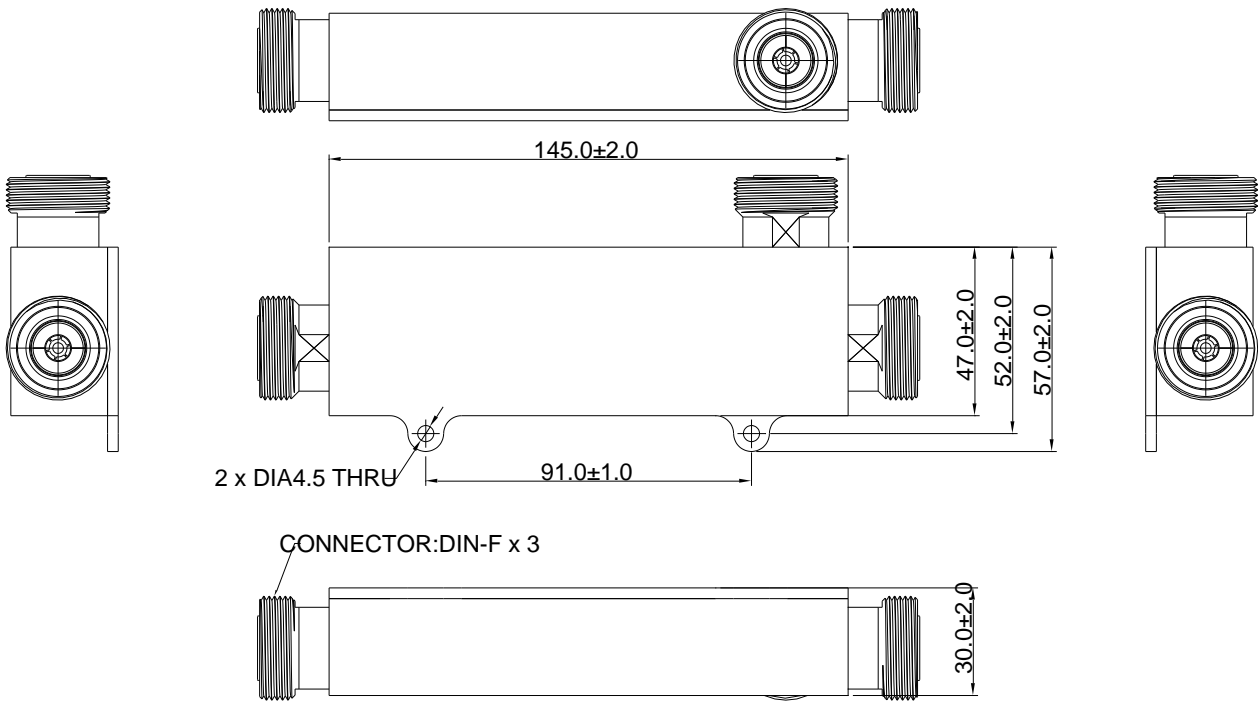
RFDC716-400-6000-XX

400 - 6000 MHz, 7/16 DIN Directional Couplers

LOW PIM SERIES

Rev 3

Outline for 5-20 dB range coupling, 7/16 Din female



Outline for 30-40dB range coupling, 7/16 Din female

